

PLEASE READ

This manual is provided as a free service by Projector.com.

We are in no way responsible for the contents of the manual. We do not guarantee its accuracy and we do not make any claim of copyright. The copyright remains the property of their respective owners.

ABOUT PROJECTOR.COM

Projector.com (<http://www.projector.com>) is your review and buying guide resource for DLP and LCD video projectors.

Visit the site to read the latest projector news and reviews, read and comment on projector specifications, download user manuals and much more.



ImagePro 8049A
Portable Powerful LCD Projector

- 1600 lumen brightness
- SVGA resolution
- Easy to transport, only 6 lbs.
- Full set of features, 5 inputs
- Monitor loopthrough

Exclusive five year warranty
the best warranty in the industry



8049A
DUKANE

ImagePro 8049A

Premium-quality LCD projector

A new way of thinking about projection

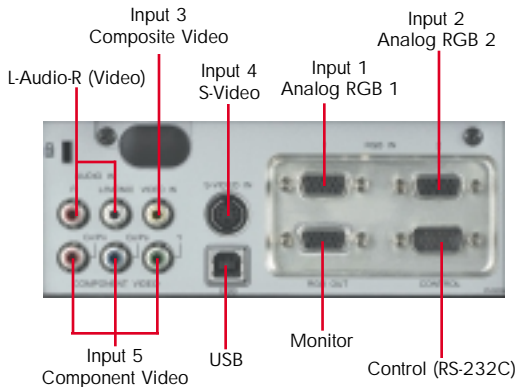
The Dukane ImagePro 8049A is a projector that can be easily moved around while still providing higher image brightness and features to make your class or presentation easy. It is simple to use, transport, and can be setup in a minute.

This full-featured LCD projector is ideal for classrooms, conference rooms or other locations where a bright image is required. Use it as a portable or mount it on the ceiling.



Key features:

- SVGA (800 x 600) resolution
- 1600 ANSI Lumens of brightness
- Vibrant rich colored images
- Easy carry 6 lbs.
- Flexibility with 2 computer and 3 video inputs
- Full function remote with mouse/cursor control and laser pointer
- Compatible with all types of video including HDTV
- "Custom Image" for your startup and blank screens
- Wide angle zoom lens permits closer placement to the screen
- "Silent Running" so you hear only your message
- Vertical and horizontal keystone correction
- Five Year Warranty and Peace of Mind Service



Dukane Corporation
 Audiovisual Products Division
 2900 Dukane Drive
 St. Charles, Illinois 60174
 800-676-2485 or 2486 toll-free
 630-584-5156 fax
 avsales@dukane.com e-mail
 www.dukane.com

ImagePro is a registered trademark of Dukane Corporation
 #11575-L-02

Specifications

LCD Type	0.7" polysilicon active-matrix TFT x3
Brightness	1600 ANSI lumens (1200 lumens in Whisper Mode)
Resolution	800 x 600 pixels (H X V)
Contrast	400:1
Scanning Frequency	fh 31-80 kHz, fv 56-85 Hz
Lens	Manual zoom (f1.7 - 1.9), 1.2X
Lens Throw Ratio	1:1.5 - 1.8:1 throw distance to image width
Keystone Correction	Digital, vertical & horizontal
Aspect Ratio	4:3, 16:9, selectable
Computer Compatibility	SVGA, VGA, XGA, SXGA/Compressed PC and Mac 13" and Mac 16"
Video Compatibility	NTSC, NTSC 4.43, PAL, M-PAL, N-PAL, PAL60, Component, SECAM, S-video, HDTV (1080i, 720p, 575i)
Image Control	Freeze function, electronic magnification and pan
Mouse Control	Using USB
Projection Modes	Front/rear/ceiling
Color Reproduction	24 bit (16.7 million)
Lamp	150W UHP
Lamp Life	2000 hours (typical)
Audio	1 speaker 1x 1 watt
Throw Distance	47" to 280"
Screen Size	40" to 200"
Inputs, Video	(1) Component, RCA x 3 (1) Min DIN 4-pin, s-video (1) RCA, composite video (1) Audio, Stereo, RCA x 2
Inputs, Computer	(2) Signal: D-sub, 15 pin
Outputs Monitor	15 pin, D-sub
Outputs, Control	15 pin, D-sub, RS-232 USB Mouse control
Security	Kensington lock slot
Fan Level	37dB, ultra quiet 33dB in Whisper Mode
Power	AC 100-120V, AC220-240V 50/60 Hz, 240 watt
Size (WxHxD)	11.6" x 3" x 9.1"
Weight	6 lbs.
Shipping Weight	15 lbs.
Carton Size	16" x 14" x 12"
Accessories Included	Remote control, batteries, power cord, Video cable, Audio cable, RGB cable, operators manual and soft carry case.
Safety	UL/CUL, FCC Class B
Optional Accessories	Lamp 456-233; rolling briefcase; 185-406

Five (5) year limited warranty

on parts and labor in North America, lamp excluded (for other locations, local warranties apply). Includes Dukane's FREE 24 month Peace-of-Mind Loaner Program.



PLEASE READ

This manual is provided as a free service by Projector.com.

We are in no way responsible for the contents of the manual. We do not guarantee its accuracy and we do not make any claim of copyright. The copyright remains the property of their respective owners.

ABOUT PROJECTOR.COM

Projector.com (<http://www.projector.com>) is your review and buying guide resource for DLP and LCD video projectors.

Visit the site to read the latest projector news and reviews, read and comment on projector specifications, download user manuals and much more.